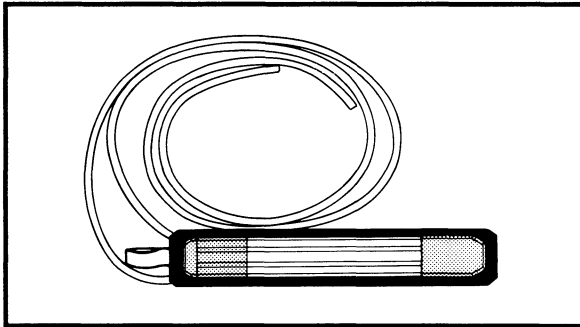


1E051

- Fuel Level Gauge  
P/N 90890-01312, YM-01312-A

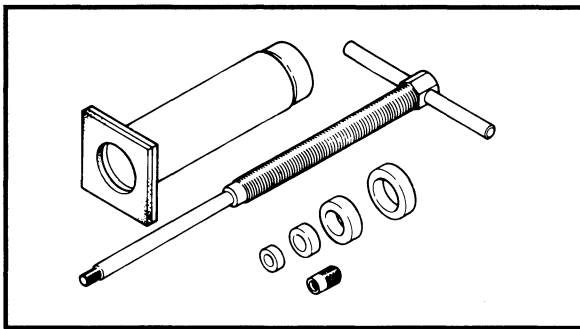
This gauge is used to measure the fuel level in the float chamber.



1E061

- Vacuum Gauge  
P/N —, YS-33275

This gauge is used for carburetor synchronization.

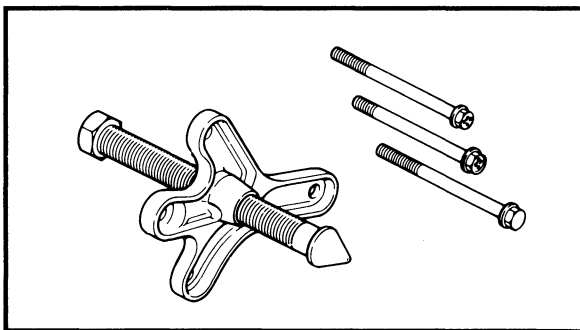


1E071

**FOR ENGINE SERVICE**

- Piston Pin Puller  
P/N 90890-01304, YU-01304

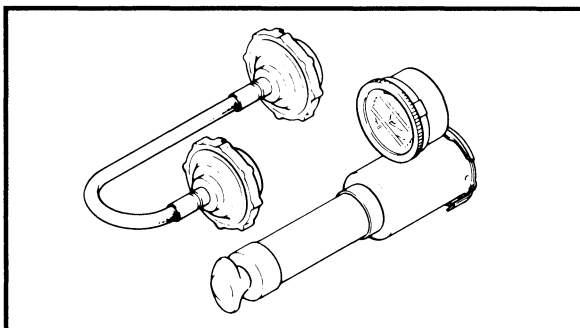
This tool is used to remove the piston pin.



1E081

- Rotor Puller  
P/N 90890-01362, YU-33270

This tool is used to remove the magneto rotor.



1E091

- Cooling System Tester  
P/N 90890-01325, YS-22460-01

This tester is used for checking cooling system.