

Drum feed drive assembly

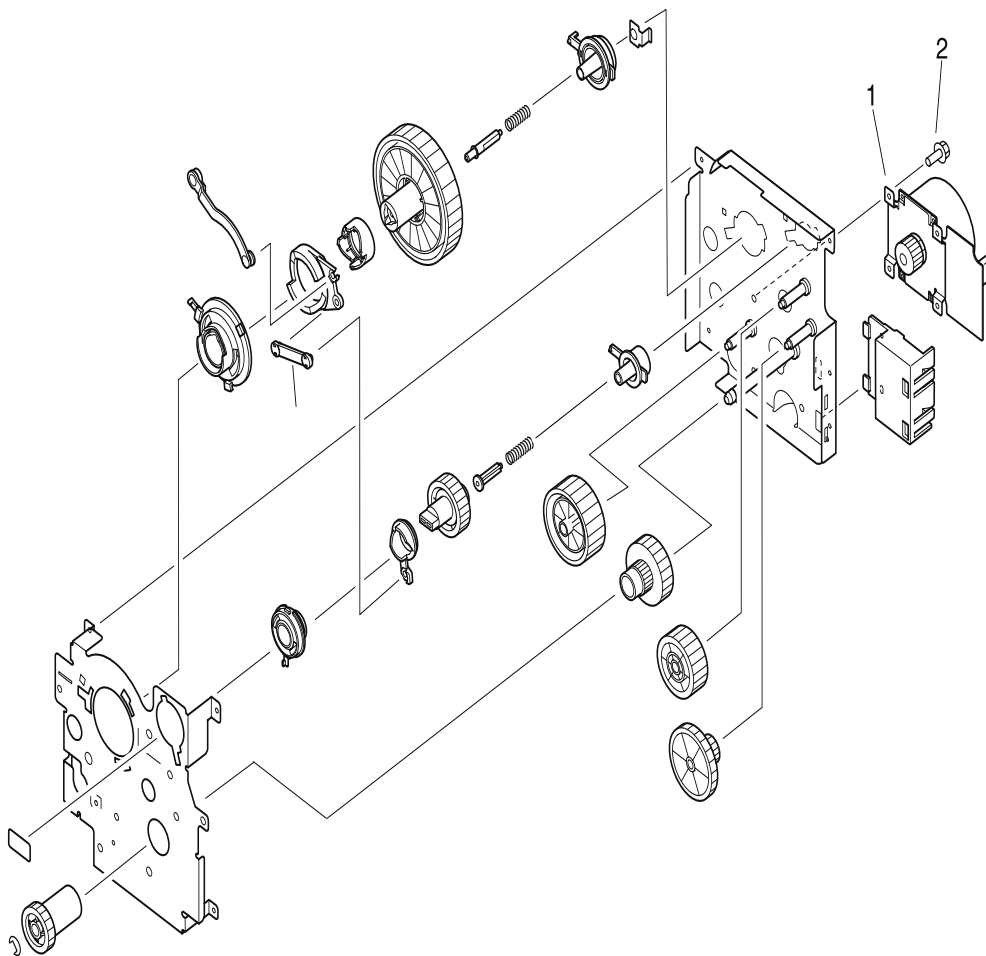


Figure 186. Drum feed drive assembly

Table 50. Drum feed drive assembly

Ref	Description	Part number	Qty
	Drum feed drive assembly	RG5-5656-000CN	1
1	Motor	RH7-5287-000CN	1
2	Screw, M3 by 6	XA9-1275-000CN	