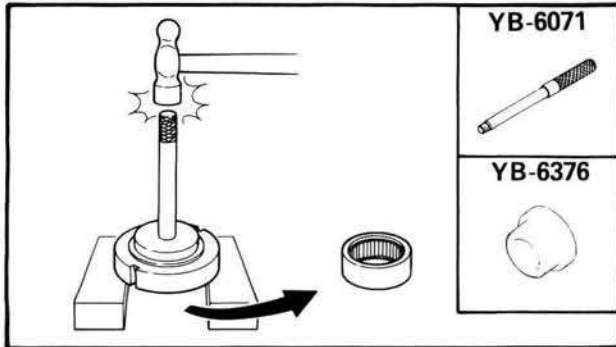
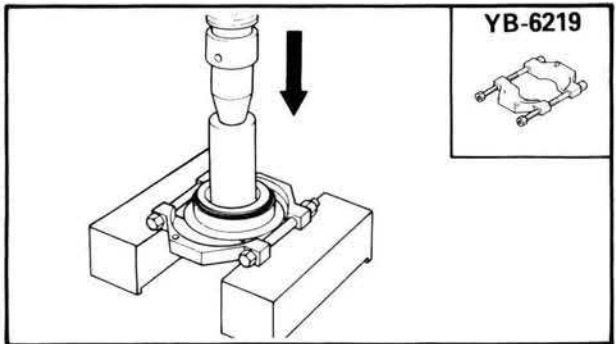


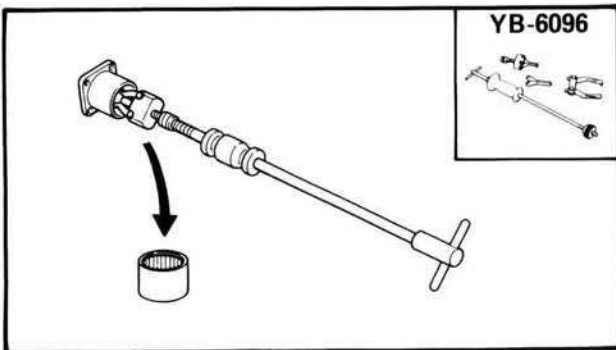
16) Needle bearings in the forward and reverse gears.



L130
17) Reverse gear bearing in the spacer.



L150, L200
17) Reverse gear bearing inner race.



18) Oil seals and needle bearing in the bearing housing.